

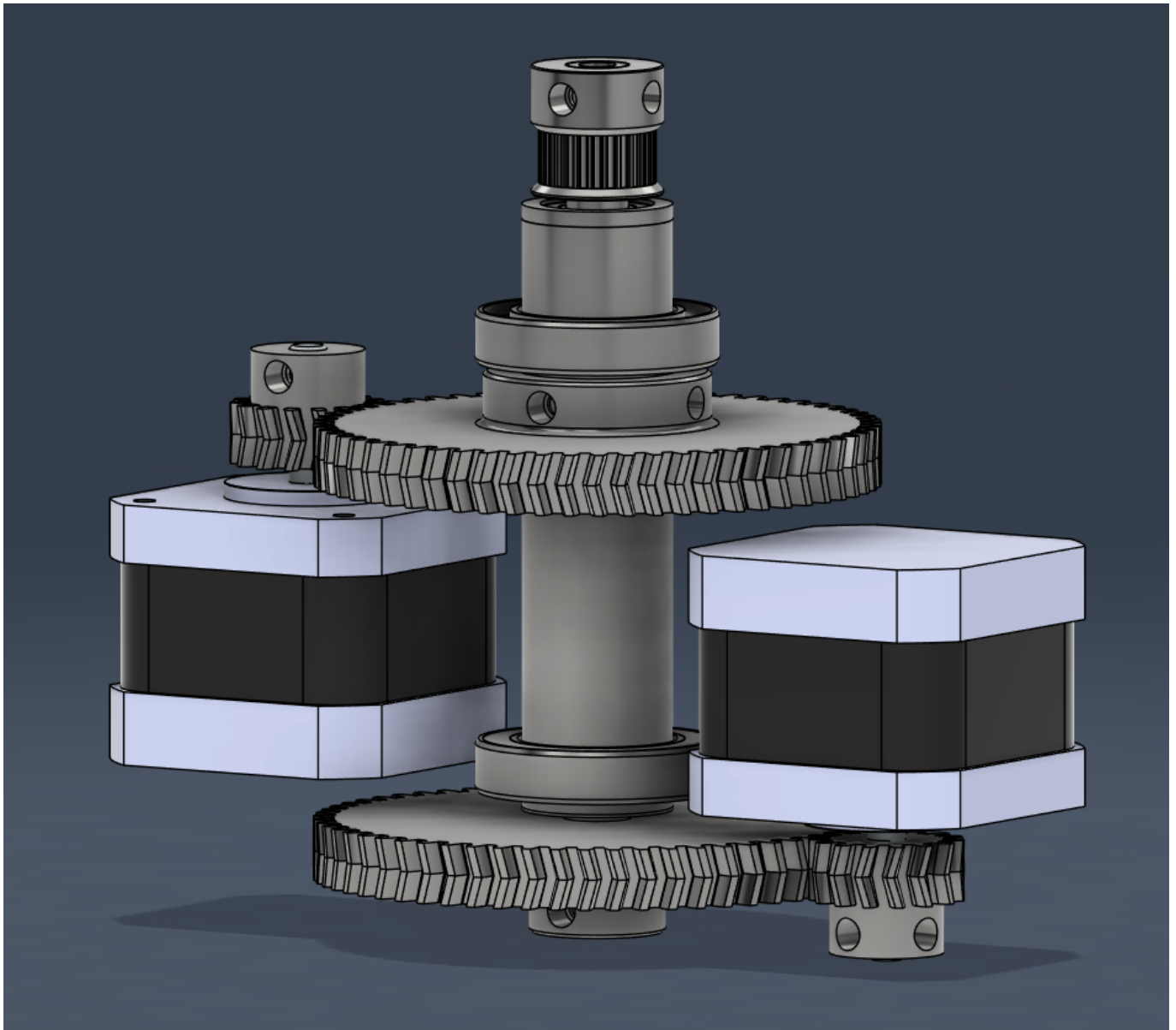
3D PRINTING AND DESIGN REFERENCE DOCUMENT

Document Title:	Document Title
Document No.:	1756372333
Author(s):	jattie
Contributor(s):	

REVISION HISTORY

Revision	Details of Modification(s)	Reason for modification	Date	By
0	Draft release	Document description here	2025/08/28 09:12	jattie

Radial Sandtable Design



Gear Spacing Calculations

Let's crunch the numbers with a 1.2 mm pitch and gears of 15 teeth and 60 teeth.

⚙️ Step-by-step Calculation

- Pitch Diameter of Gear 1 = 15 teeth × 1.2 mm = 18 mm
- Pitch Diameter of Gear 2 = 60 teeth × 1.2 mm = 72 mm

Centre distance

Centre Distance = $\frac{1}{2} \times (18 + 72) = \frac{1}{2} \times 90 = 45\text{mm}$

□ Final Answer: Centre spacing = 45 mm

From:
<http://3dfaq.net/> - **3D Printing Wiki**

Permanent link:
http://3dfaq.net/04_projects/04_sandtable_radial_version?rev=1756400957

Last update: **2025/08/28 17:09**

