

3D PRINTING AND DESIGN REFERENCE DOCUMENT

Document Title:	Kinetic Sand Table
Document No.:	1734601619
Author(s):	jattie
Contributor(s):	

REVISION HISTORY

Revision	Details of Modification(s)	Reason for modification	Date	By
0	Draft release	Document Essential References and Resource for Building a Kinetic Sandtable	2024/12/19 09:46	jattie

Kinetic Sand Table Design and Build

The objectives for the project is to 3D print as many of the parts as possible and to build low budget linear stages to construct the basic system and build it up from there.

- Electronics/Controllers
 - GRBL Controller
 - CNC Shield
 - Stepper Drivers for shield
- Linear Hardware
 - Stepper motors
 - Linear Stages
 - GT2 drive belts
 - GT2 Idlers
 - GT2 Stepper Attachments
 - Belt Clamp
- Playlist ¹⁾

Electronics

GRBL Controller

After some extensive research I discovered grbIHAL²⁾. grbIHAL is the updated version of GRBL. GRBL is an open-source firmware that converts G-code commands into motion control signals for CNC (Computer Numerical Control) machines. It's widely used for controlling CNC routers, mills, lathes, laser cutters, and other automated machinery.

grbIHAL essentially makes it possible to use a wide range of low cost 32 bit microcontrollers. Some popular grbIHAL supported microcontrollers are :

- RP2040: Raspberry Pi Pico
- ESP32: Popular for IoT projects
- STM32: Various models like STM32F1xx, STM32F3xx, STM32F4xx, STM32F7xx, and STM32H7xx
- LPC176x: Used in many embedded systems

- SAM3X8E: Found in Arduino Due
- Teensy 4.x: High-performance microcontrollers
- NXP iMXRT1062: Used in Teensy 4.x boards

This allows for a wide range of options to avail of to build a very low cost grbl interface. There are handy web based tools to select the controller of choice and build the firmware code for you.³⁾ The alternative route is to build the code using VSCode. The [full tutorial is here](#).

The basic steps are:

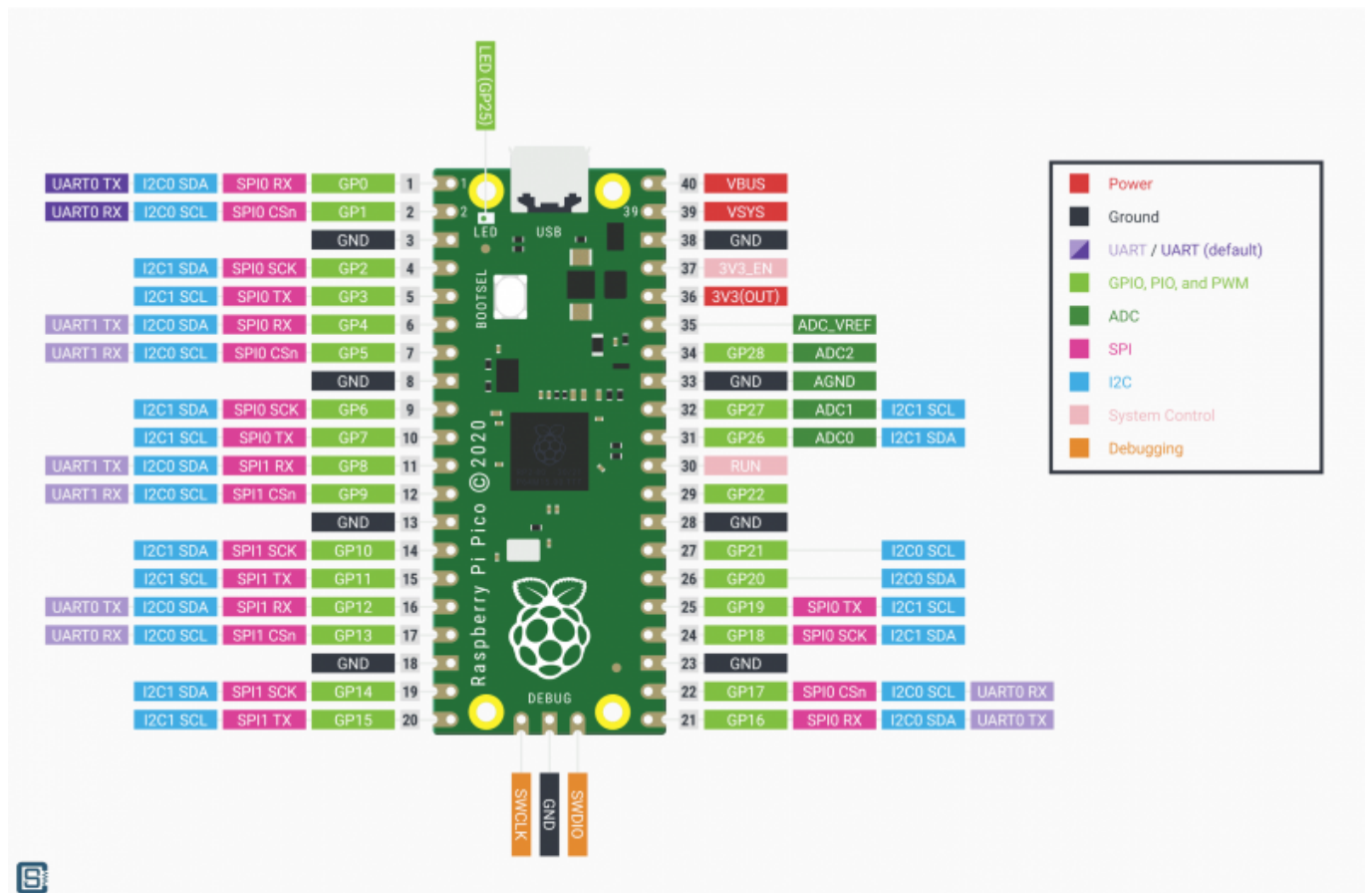


- Create firmware ⁴⁾
- Power off the Pico 2040 by unplugging the USB, hold in BOOTSEL and plug it back in. Upload the firmware.
- Connect to the unit using IOSender XL ⁵⁾

That's it, you now have a GRBL controller.

Connecting Steppers to the GRBL controller

The pinouts for a Pico 2040 are as follow:



Following the grbIHAL software mapping for the firmware ⁶⁾ we deduce the following map to actual pinouts:

GRBL Function	Pico GP Pin
Step Output X	2
Step Output Y	3
Step Output Z	4
Direction Output X	5
Direction Output Y	6
Direction Output Z	7
Steppers Enable	8
Limit X	9
Limit Y	10
Limit Z	11

Stepper Drivers

There are a few projects for Pico specific shields, however they are costly to get hold of and the Arduino community has very low cost and mature products that is compatible, or at least I believe it is and will explore this and test it for this purpose.

I will explore the CNC Shield that is discussed in detail here ⁷⁾

As an alternative we explored TB6600. ⁸⁾⁹⁾¹⁰⁾ These units are very low cost and available on Amazon.

The different models of these types of units are tabled below for comparison.

Last update:
2025/01/29
20:46

04_projects:02_kinetic_sand_table

http://3dfaq.net/04_projects/02_kinetic_sand_table?rev=1738183609




Feature/Driver	TB6600	DM556	DM556T	DM542	ERP60	DM860H	DM860S	DM860T
Input Voltage	9-42V	20-50V	20-50V	20-50V	20-50V	20-50V	20-50V	20-50V
Output Current	0.5-4A	0.5-5.6A	1.8-5.6A	1.8-5.6A	1.8-5.6A	1.8-5.6A	1.8-5.6A	1.8-5.6A
Microsteps	1, 2/A, 2/B, 4, 8, 16, 32	1, 2, 4, 8, 16, 32	1, 2, 4, 8, 16, 32	1, 2, 4, 8, 16, 32	1, 2, 4, 8, 16, 32	1, 2, 4, 8, 16, 32	1, 2, 4, 8, 16, 32	1, 2, 4, 8, 16, 32
Control Interface	Digital	Digital	Digital	Digital	Digital	Digital	Digital	Digital
Protection Features	Overcurrent, Overheat	Overcurrent, Overheat	Overcurrent, Overheat	Overcurrent, Overheat	Overcurrent, Overheat	Overcurrent, Overheat	Overcurrent, Overheat	Overcurrent, Overheat
Applications	General use, CNC machines	General use, CNC machines	General use, CNC machines	General use, CNC machines	General use, CNC machines	General use, CNC machines	General use, CNC machines	General use, CNC machines

The other option is smaller packaged driver like these:



Feature/Driver	STSPIN820	DRV8834	A4988	MP6500	A5984	TB67S249	DRV8434	TMCM-1260
Operating Voltage	7-45V	2.5-10.8V	8-35V	8-40V	8-40V	8-40V	8-40V	8-40V
Max Output Current	1.5 Arms	1.5 A	2 A	2.5 A	2.5 A	2.5 A	2.5 A	2.5 A
Microstepping	Up to 1/256	Up to 1/32	Up to 1/16	Up to 1/16	Up to 1/16	Up to 1/16	Up to 1/16	Up to 1/16
Protection Features	Overcurrent, Overtemperature, Short-circuit, Undervoltage lockout, Thermal shutdown	Overcurrent, Short-circuit, Undervoltage lockout, Overtemperature, Low-power sleep mode	Overcurrent, Short-circuit, Thermal shutdown	Overcurrent, Short-circuit, Thermal shutdown	Overcurrent, Short-circuit, Thermal shutdown	Overcurrent, Short-circuit, Thermal shutdown	Overcurrent, Short-circuit, Thermal shutdown	Overcurrent, Short-circuit, Thermal shutdown
Package Type	QFN 4x4 mm	HTSSOP/VQFN 24-pin	DIP-16	DIP-16	DIP-16	DIP-16	DIP-16	DIP-16
Applications	3D printers, Medical equipment, Industrial printers, Robotics	Toys, Printers, Cameras, Robotics	3D printers, CNC machines, Robotics	3D printers, CNC machines, Robotics	3D printers, CNC machines, Robotics	3D printers, CNC machines, Robotics	3D printers, CNC machines, Robotics	3D printers, CNC machines, Robotics

The TMC2208 and TMC2209 are known for their silent operation due to their StealthChop technology.

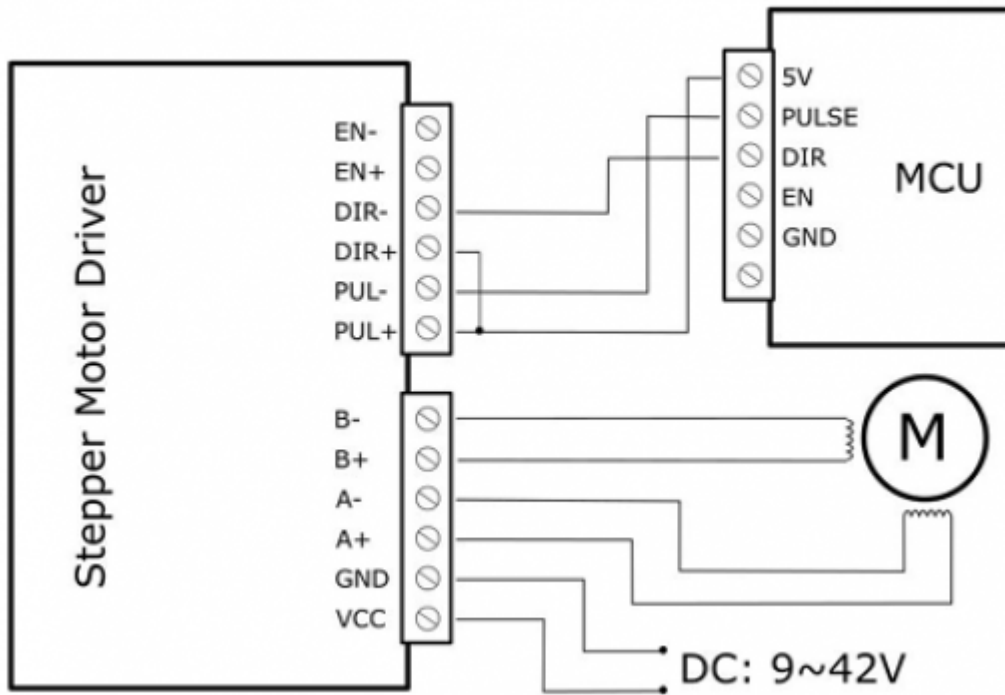
 The final choice of driver came down to cost and effort to implement. At the time of writing TB6600 units were available from amazon for €11,10. With optical insulated inputs¹¹⁾ and the cost, it's a no brainer choice for me.

Wiring

The pico datasheet¹²⁾ section 2.1 confirms use of the 3.3V output for signal purposes of up to 300mA. The TB6600 datasheet¹³⁾ confirms 15mA currents required to drive the optocouplers.

The proposed microcontroller wiring from the same datasheet proposes the following:


This is an example for the common-anode connection. ("EN" not connected)



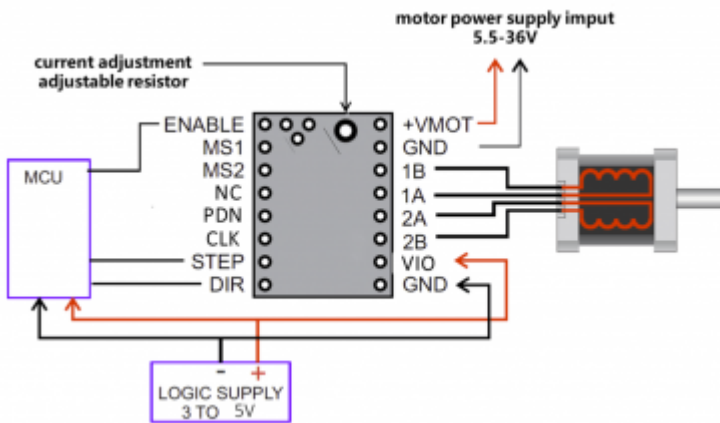
So in keeping with the proposed vendor Microcontroller wiring we then add the enable lines back in and it should look like this.



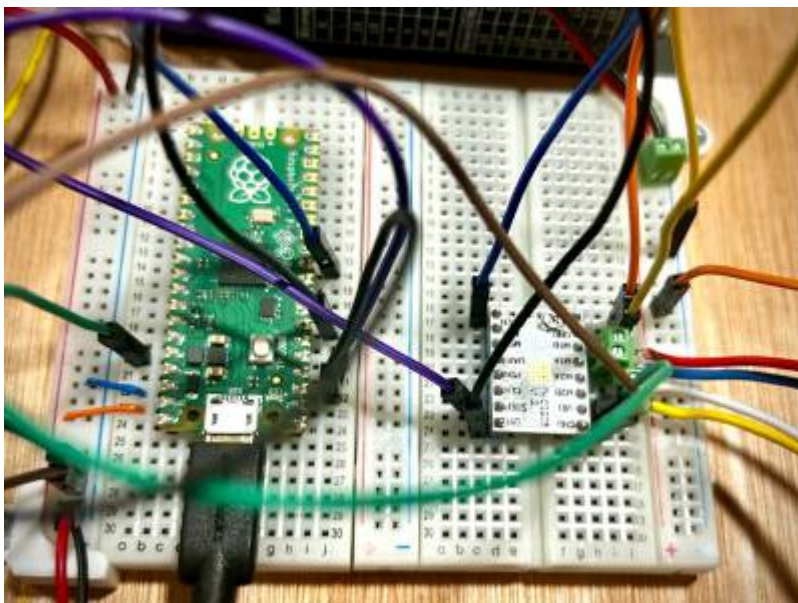
This schematic show the wiring for the X axis, the two Y axis connections for direction and step should be used instead.

 These drivers are easy to use and integrate but ended up to be very noisy, the sand table is supposed to be zen, the noise is too distracting.

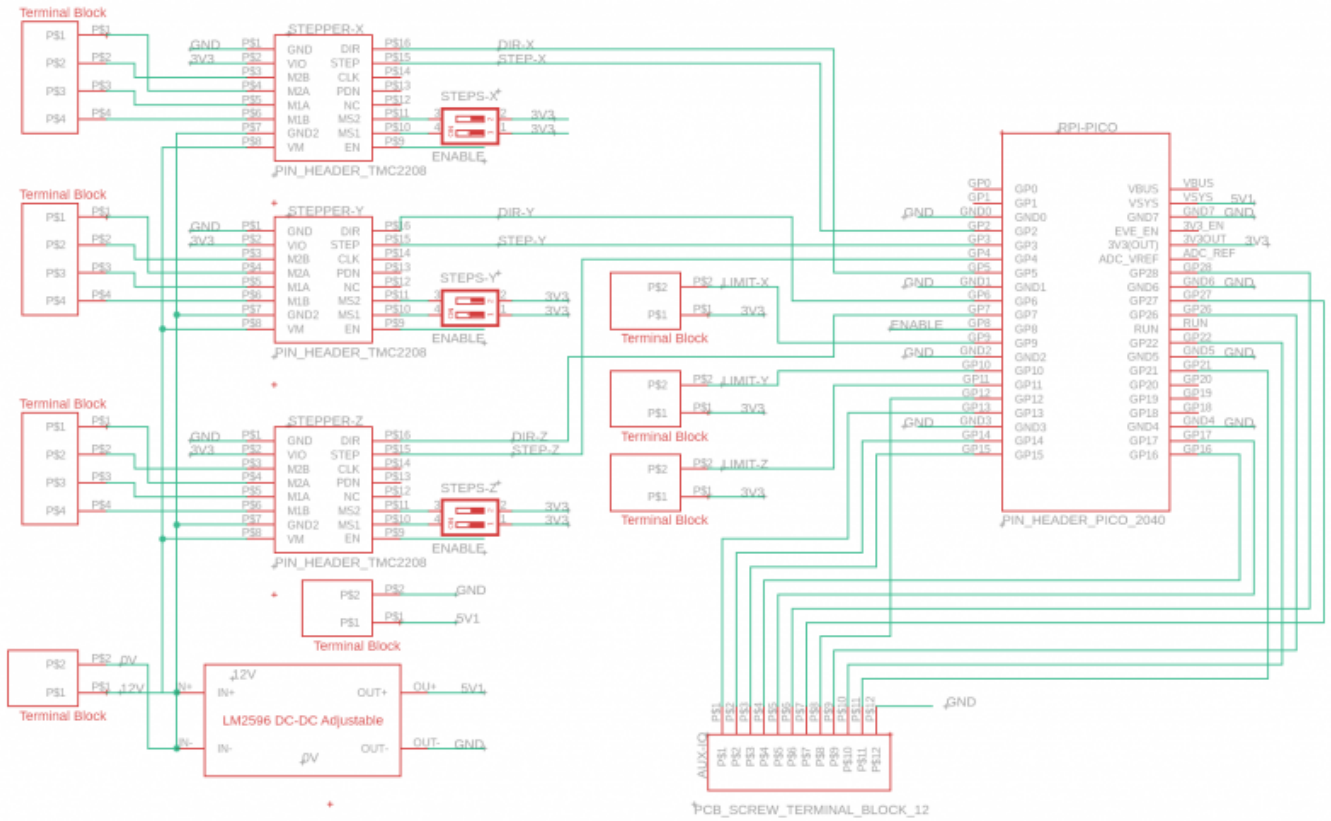
Alternative Stepper Driver



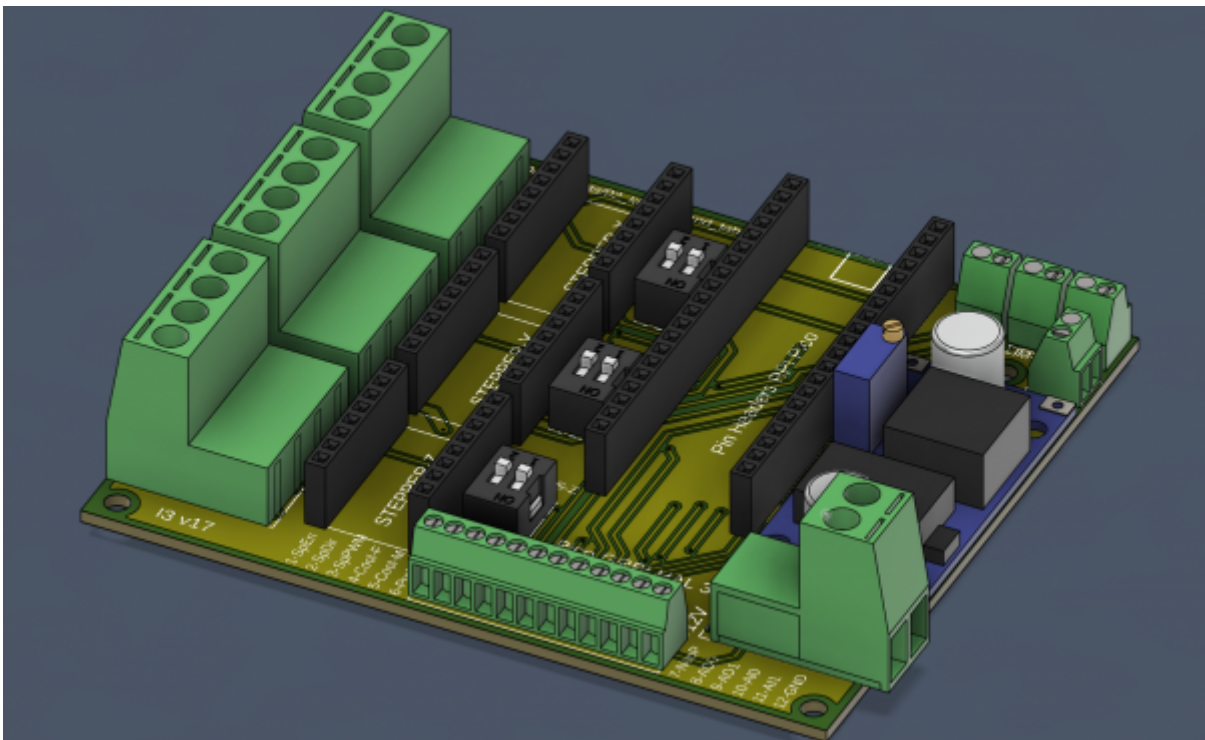
So some further research had some reasonably costed silent steppers and I opted for some TMC2208¹⁴⁾ drivers from Amazon and tested them out. I got two for around €9.00, and wired up a motor to a pico 2040 and proceeded to do some tests.




I followed this basic circuit diagram I found online, and the noise reduction was substantial. After some further research I was unable to find a good and cost effective solution to connect my Pico 2040 to a driver board and explored [pcbway](http://pcbway.com) that claimed to be low cost custom pcb provider, this proved to be true and after one steep learning curve and countless hours later I have used the free version of Fusion 360 to create a double layer PC board.



I only need two drivers for the project but decided to make provision for three motors for future projects and also break out all the other IO.



The final design include PCB headers for the pico and all the drives with pluggable terminal connectors for the motors and screw terminals for expansions. The board also includes an adjustable step down regulator for 5v power for the Pico.










[The Gerber files for the board is here:](#)
[linea_rail_controller_schematic_i3_v19_2025-01-20.zip](#)



Upload them to PCBWay to get a board manufactured.

The Amazon parts list is here: [Amazon Parts List](#)

GRBLHALPicoPCB

Title	Comments	Price
 Yizhet 5 Pack Buck Converter, DC to DC, High Efficiency Voltage Regulator, 3.0-40V to 1.5-35V, Adjustable Power Supply Module by Yizhet (Misc.)		€9.71
 FTVOGUE 50pcs/set 2 Pin 2.54mm Pitch Green PCB Universal Screw Terminal Block Connector by FTVOGUE (Misc.)		€6.93
 2PCS TMC2208 V1.2 3D Printer Stepper Motor Driver, Upgrade TMC2208 Stepper Driver Module with Heat Sink Screwdriver for 3D Printer Controller Mother Boards Reprap MKS Prusa i3 Ender-3 Pro by DORHEA		€9.71
 CHANZON Pin Header Strip for Arduino Gpio 8 pin x 10pcs Female Headers Pins Straight Single Row Gold Plated Pitch 2.54mm 0.1 inch for PCB Connector Machine Breadboard Electronic Circuit Board by CHANZON (Personal Computers)		€5.91
 RUNCCI-YUN (40pcs, 20sets) 250V 10A 5.08mm Pitch 2Pins/4 Pins Plug-in PCB Screw Terminal Block Connector pcb terminal block by RUNCCI-YUN (Misc.)		€9.10
 CHANZON Pin Header Strip for Arduino Gpio 20pin x 10pcs Female Headers Pins Straight Single Row Gold Plated Pitch 2.54mm 0.1 inch for PCB Connector Machine Breadboard Electronic Circuit Board by CHANZON (Personal Computers)		€7.10
 OTOTEC 50Pcs 2.54mm Double Row DIP Switch Direct Plug Slide Toggle Switch for Cars Drones Robots Solar Lights(1 2 4 6 8 Position) by OTOTEC		€16.50
 10pcs/set 12 Pin 2.54mm Pitch PCB Screw Terminal Block Connector Stable Green PCB Universal Screw by Wifehelper		€9.17



It's working out around €16 per PCB for 5 PCB's and all the parts, then a minimum of €5 to land a Pico 2040 outside the UK, the costs are around €21, if you can buy a populated board for less, it's probably worth voiding the hassle of parts, soldering etc. So a populated programmed board will have to sell for €42 plus shipping costs.

GRBL Board Assembly and Setup



Before inserting the microcontroller and drivers into the board, fist set the step down regulator to 5.1V, failing to do so will fry the Pico board.

The DIP switches on the board nex to the stepper is wired to VIO, so to set Micro-stepping simply turn them on or off using this table.

MS2(-)	MS1(-)	Steps(-)	Interpolation(-)	Mode(-)
GND	VIO	1/2	1/256	stealthChop2
VIO	GND	1/4	1/256	stealthChop2
GND	GND	1/8	1/256	stealthChop2
VIO	VIO	1/16	1/256	stealthChop2

Linear Hardware

Stepper Motors

My stepper motor choice is from what I already have on hand, is popular and abundantly available. Any Nema 17 motor will suffice.

Brand	Creality 3D 42-40
Item Name	RepRap 42 Stepper Motor
Article number	42-40
SKU	3204120126
Step angle	1.8degrees
Rated voltage	4.83V
Current rating	1.5(A)
Rated speed	1-1000(rpm)
Rated torque	0.4(NM)
Ambient temperature	-20 °C ~ + 50°C
Length	40mm
Application	3D printer
Shaft	Round shaft

Using this stepper in conjunction with a TB6600, simply set the current limit to match that of the motor selected, regardless of the voltage supplied to the controller. The controller regulates the current limit set up from the dip switches. ¹⁵⁾

Linear Stage

For my linear stage I decided to venture off the well travelled path and investigate alternative rail options.

Browsing at my local hardware store I found polished oval rails like these and started working of a 3D printed design that can use cheap 3D printed options to turn these into a linear stage.



White Oval Wardrobe Rail

Wardrobe Pole and Fittings

Wardrobe Hanging Rails and Fittings

Replacement Wardrobe Rail

Oval Hanging Rail

Brass Oval Hanging Rail

Screwfix Clothes Rail

Wicker Wardrobe

Hide filters

BRAND

- Waenlir
- Emuca
- Home Centre
- Tianqinuk
- Timco

See 6 more

PRICE

- Up to £10
- £10 - £20
- £20 - £40
- Over £40

TYPE

- Hangers
- Supports
- Wardrobes
- Bathroom
- Brackets

See 3 more

MATERIAL



EAI Polished Chrome Wardrobe Rail
£17.50
Amazon UK
Free shipping



Oval Wardrobe Rail Polished
£14.97
Amazon UK
Free shipping



TIMCO Wardrobe Rail Oval Polished
£7.41
Amazon UK
Free shipping



Oval Rail Wardrobe Polished
£28.97
Amazon UK



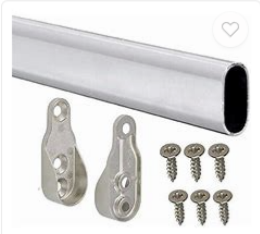
HOME CENTRE 300mm Oval
£7.90
Amazon UK
Free shipping



HOME CENTRE 500mm Oval
£9.20
Amazon UK
Free shipping

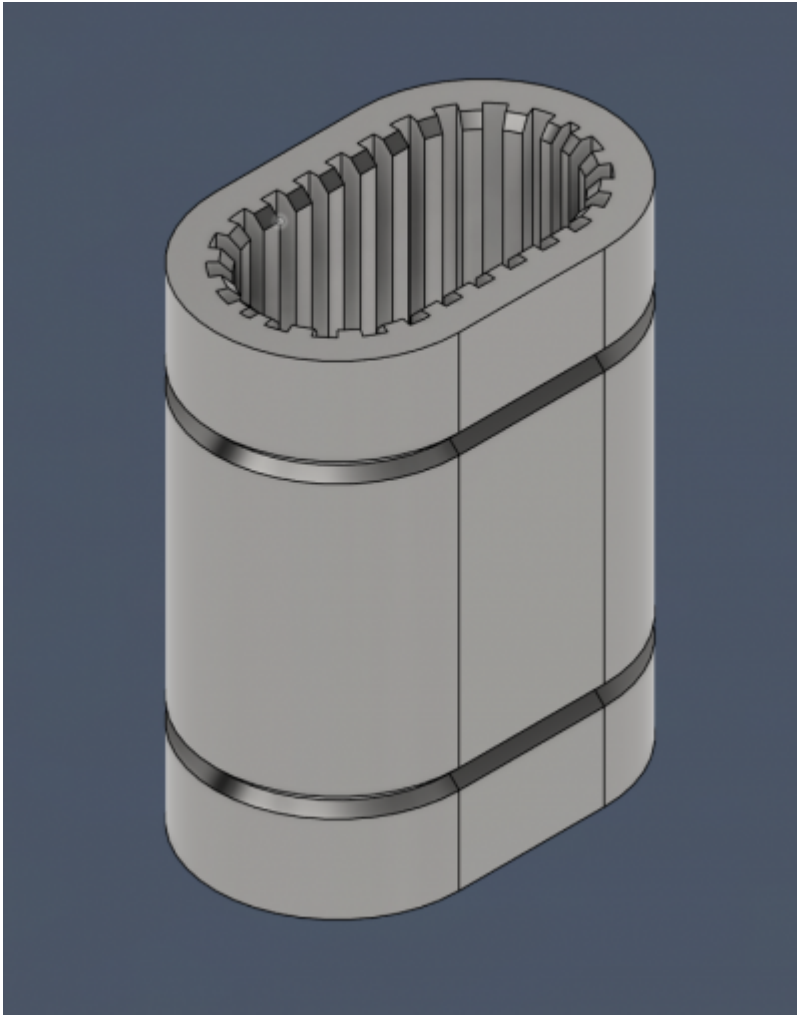


HOME CENTRE 1000mm Oval
£15.40
Amazon UK
Free shipping

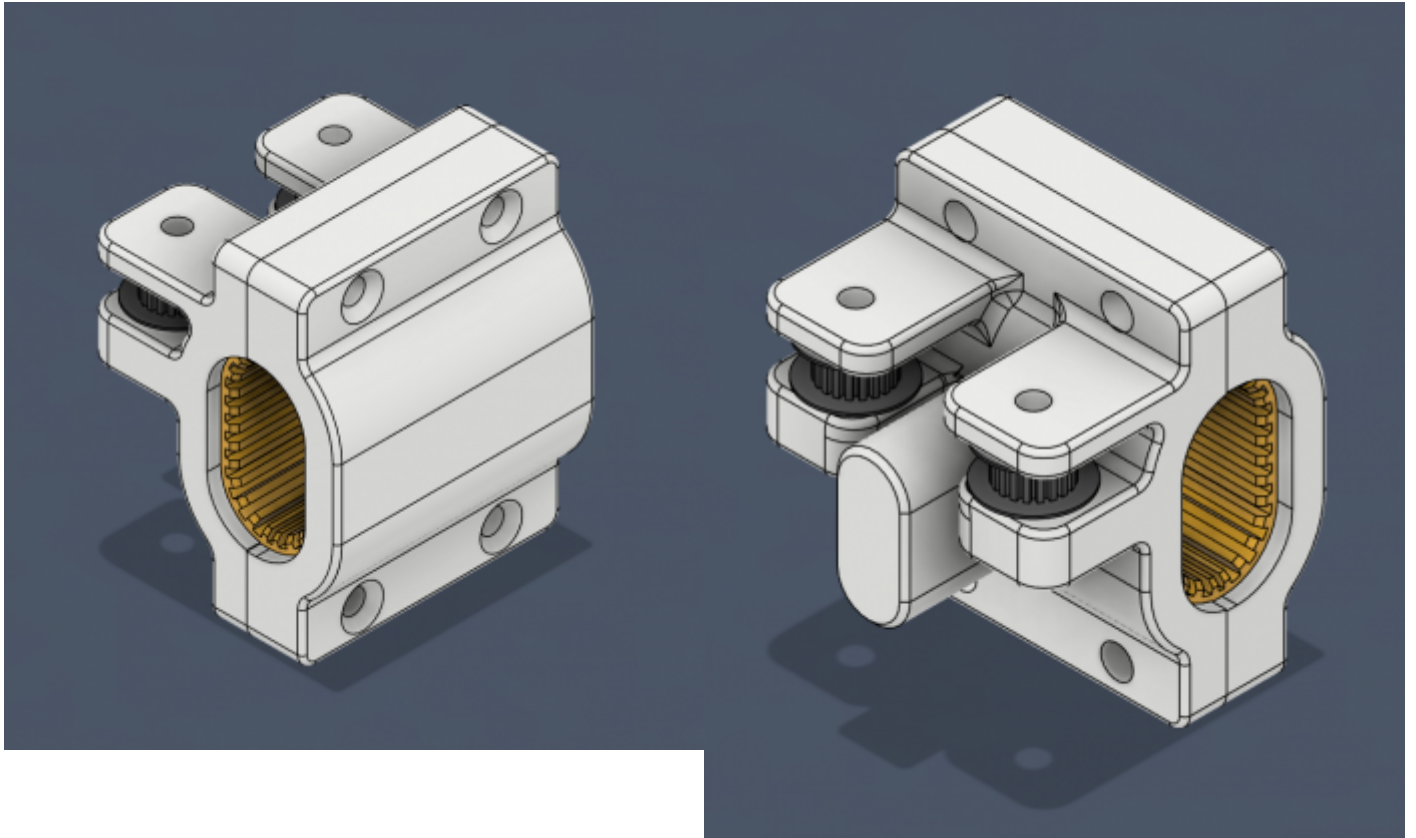


Bestdeals12 Wardrobe Rail Chrome
£14.20
Amazon UK

I created some oval shaped linear bearings for starters and testing them on the rails.



The were designed with very tight fit tolerances.



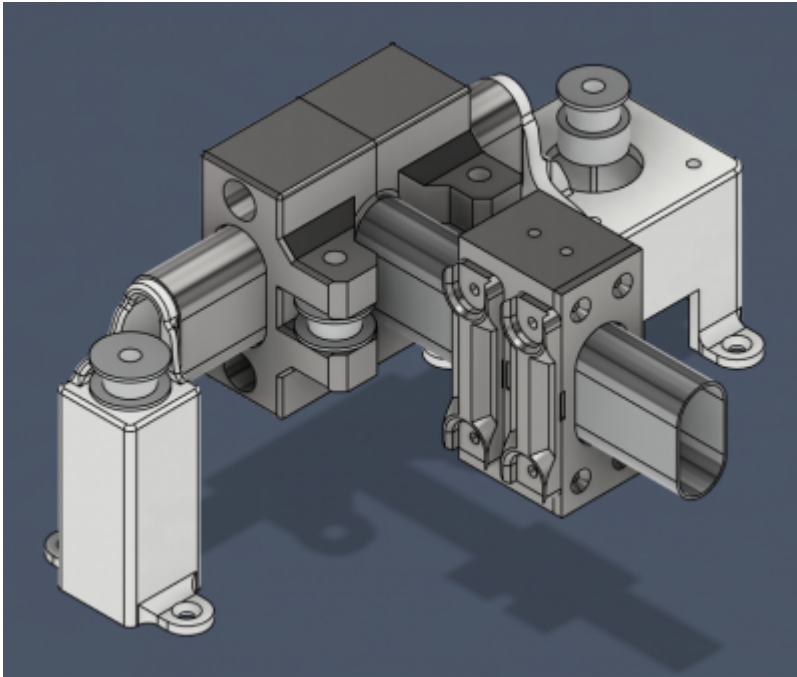
Then created some bearing holders with idler pulley holders and mounts for the cross bar.

The cross bar fit was also tight and I used a mallet to drive it on to avoid play. I realised I did not fit the bearing and designed a split bearing.

The bearings are here: <https://www.printables.com/model/1108249-oval-tube-linear-bearing-15x30x50mm>

The gantry sliders with bearing and idler pulleys are here:
<https://www.printables.com/model/1111593-oval-profile-linear-stage-single-bearing>

These conceptual designs performed well enough in my initial trails, they will not work well in a 3D print design where sub millimetre tolerances are require, but is worth trying out on simpler applications will lower tolerance requirements.



The final design for the core-xy linear stage is here: <https://www.printables.com/model/1143004-budget-core-xy-linear-rail-system>. The print layout file includes a mirrored layout of the left stage stepper and idler holders.

1)

<https://github.com/texx00/sandypi>

2)

<https://github.com/grblHAL/core/blob/master/README.md>

3) 4)

<http://svn.io-engineering.com:8080/?driver=RP2040>

5)

<https://github.com/terjeio/ioSender/releases/>

6)

https://github.com/grblHAL/RP2040/blob/master/boards/generic_map.h

7)

<https://all3dp.com/2/arduino-cnc-shield/>

8)

https://www.amazon.co.uk/gp/product/B07SBZ9SM5/ref=ox_sc_act_title_1?smid=A3G751PYK8M98N&psc=1

9) 13)

<https://www.makerguides.com/wp-content/uploads/2019/10/TB6600-Manual.pdf>

10)

<https://www.watelectronics.com/tb6600-stepper-motor-driver-module/>

11)

https://components101.com/sites/default/files/component_datasheet/TB6600-Datasheet.pdf

12)

<https://datasheets.raspberrypi.com/pico/pico-datasheet.pdf>

14)

<https://wiki.fysetc.com/TMC2208/>

15)

<https://community.robotshop.com/forum/t/power-supply-requirements-for-stepper-motor-controller/28483/4>

Last update: 2025/01/29 20:46 04_projects:02_kinetic_sand_table http://3dfaq.net/04_projects/02_kinetic_sand_table?rev=1738183609

From: <http://3dfaq.net/> - **3D Printing Wiki**

Permanent link: http://3dfaq.net/04_projects/02_kinetic_sand_table?rev=1738183609

Last update: **2025/01/29 20:46**

