

## 3D PRINTING AND DESIGN REFERENCE DOCUMENT

<b>Document Title:</b>	Kinetic Sand Table
<b>Document No.:</b>	1734601619
<b>Author(s):</b>	jattie
<b>Contributor(s):</b>	

### REVISION HISTORY

Revision	Details of Modification(s)	Reason for modification	Date	By
0	Draft release	Document Essential References and Resource for Building a Kinetic Sandtable	2024/12/19 09:46	jattie

# Kinetic Sand Table Design and Build

The objectives for the project is to 3D print as many of the parts as possible and to build low budget linear stages to construct the basic system and build it up from there.

- Electronics/Controllers
  - GRBL Controller
  - CNC Shield
  - Stepper Drivers for shield
- Linear Hardware
  - Stepper motors
  - Linear Stages
  - GT2 drive belts
  - GT2 Idlers
  - GT2 Stepper Attachments
  - Belt Clamp
- Playlist <sup>1)</sup>

## Electronics

### GRBL Controller

After some extensive research I discovered grbIHAL<sup>2)</sup>. grbIHAL is the updated version of GRBL. GRBL is an open-source firmware that converts G-code commands into motion control signals for CNC (Computer Numerical Control) machines. It's widely used for controlling CNC routers, mills, lathes, laser cutters, and other automated machinery.

grbIHAL essentially makes it possible to use a wide range of low cost 32 bit microcontrollers. Some popular grbIHAL supported microcontrollers are :

- RP2040: Raspberry Pi Pico
- ESP32: Popular for IoT projects
- STM32: Various models like STM32F1xx, STM32F3xx, STM32F4xx, STM32F7xx, and STM32H7xx
- LPC176x: Used in many embedded systems

- SAM3X8E: Found in Arduino Due
- Teensy 4.x: High-performance microcontrollers
- NXP iMXRT1062: Used in Teensy 4.x boards

This allows for a wide range of options to avail of to build a very low cost grbl interface. There are handy web based tools to select the controller of choice and build the firmware code for you.<sup>3)</sup> The alternative route is to build the code using VSCode. The [full tutorial is here](#).

The basic steps are:

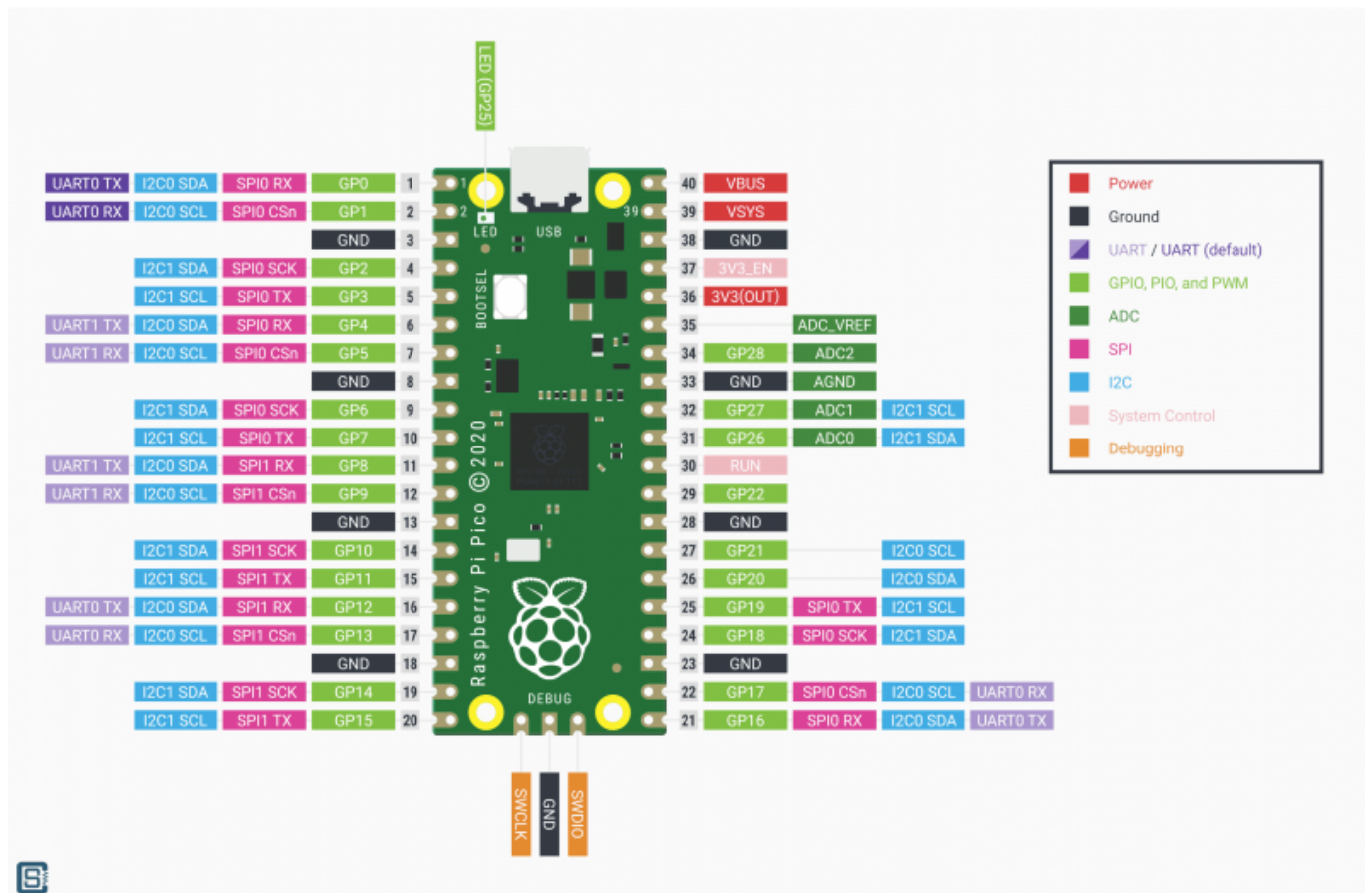


- Create firmware <sup>4)</sup>
- Power off the Pico 2040 by unplugging the USB, hold in BOOTSEL and plug it back in. Upload the firmware.
- Connect to the unit using IOSender XL <sup>5)</sup>

That's it, you now have a GRBL controller.

## Connecting Steppers to the GRBL controller

The pinouts for a Pico 2040 are as follow:



Following the grbIHAL software mapping for the firmware <sup>6)</sup> we deduce the following map to actual pinouts:

GRBL Function	Pico GP Pin
Step Output X	2
Step Output Y	3
Step Output Z	4
Direction Output X	5
Direction Output Y	6
Direction Output Z	7
Steppers Enable	8
Limit X	9
Limit Y	10
Limit Z	11

## Stepper Drivers

There are a few projects for Pico specific shields, however they are costly to get hold of and the Arduino community has very low cost and mature products that is compatible, or at least I believe it is and will explore this and test it for this purpose.

I will explore the CNC Shield that is discussed in detail here <sup>7)</sup>

As an alternative we explored TB6600. <sup>8)9)10)</sup> These units are very low cost and available on Amazon.

The different models of these types of units are tabled below for comparison.

Last update:  
2025/01/20  
16:05

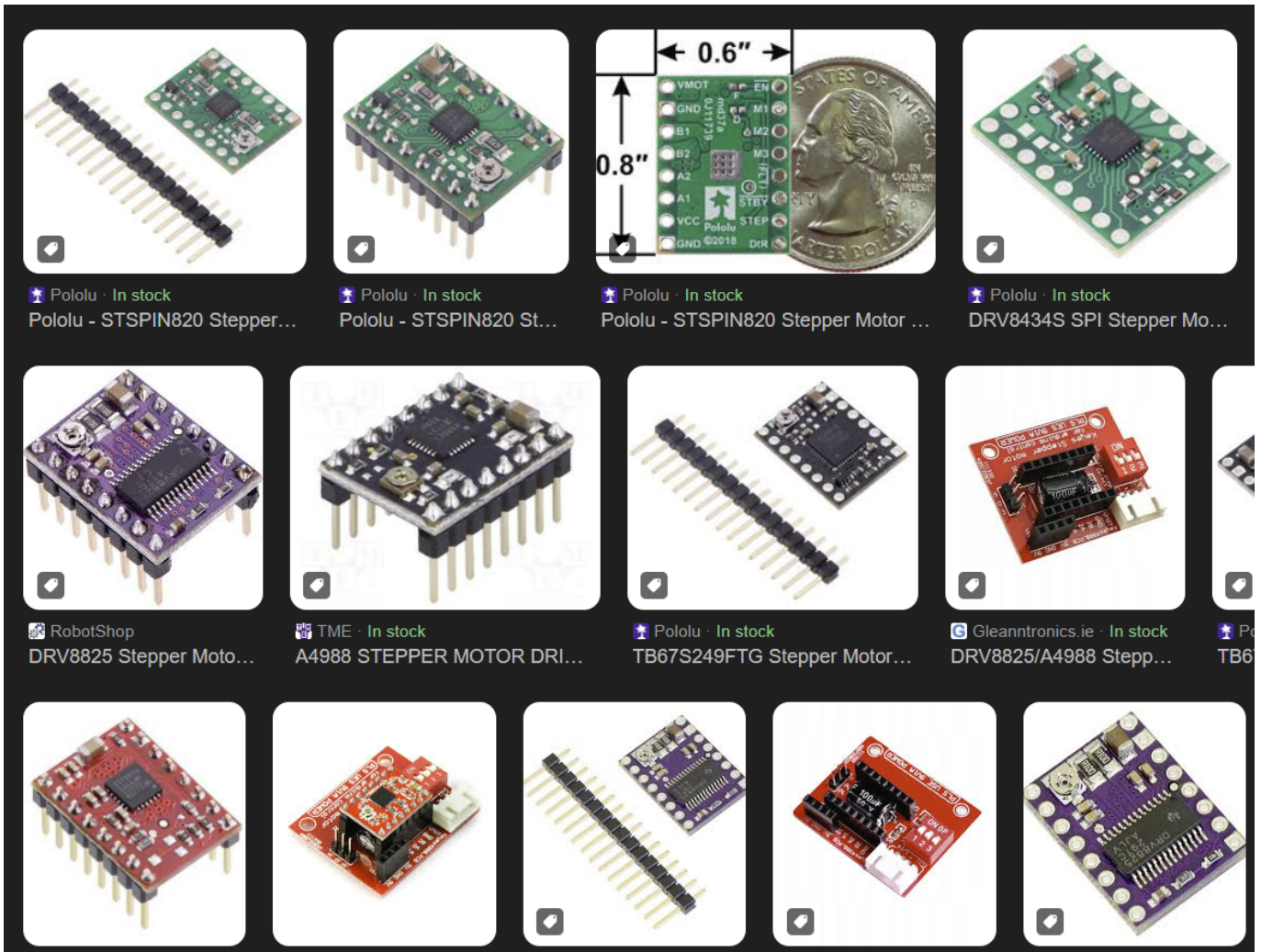
04\_projects:02\_kinetic\_sand\_table

[http://3dfaq.net/04\\_projects/02\\_kinetic\\_sand\\_table?rev=1737389104](http://3dfaq.net/04_projects/02_kinetic_sand_table?rev=1737389104)




Feature/Driver	TB6600	DM556	DM556T	DM542	ERP60	DM860H	DM860S	DM860T
<b>Input Voltage</b>	9-42V	20-50V	20-50V	20-50V	20-50V	20-50V	20-50V	20-50V
<b>Output Current</b>	0.5-4A	0.5-5.6A	1.8-5.6A	1.8-5.6A	1.8-5.6A	1.8-5.6A	1.8-5.6A	1.8-5.6A
<b>Microsteps</b>	1, 2/A, 2/B, 4, 8, 16, 32	1, 2, 4, 8, 16, 32	1, 2, 4, 8, 16, 32	1, 2, 4, 8, 16, 32	1, 2, 4, 8, 16, 32	1, 2, 4, 8, 16, 32	1, 2, 4, 8, 16, 32	1, 2, 4, 8, 16, 32
<b>Control Interface</b>	Digital	Digital	Digital	Digital	Digital	Digital	Digital	Digital
<b>Protection Features</b>	Overcurrent, Overheat	Overcurrent, Overheat	Overcurrent, Overheat	Overcurrent, Overheat	Overcurrent, Overheat	Overcurrent, Overheat	Overcurrent, Overheat	Overcurrent, Overheat
<b>Applications</b>	General use, CNC machines	General use, CNC machines	General use, CNC machines	General use, CNC machines	General use, CNC machines	General use, CNC machines	General use, CNC machines	General use, CNC machines

The other option is smaller packaged driver like these:



Feature/Driver	STSPIN820	DRV8834	A4988	MP6500	A5984	TB675249	DRV8434	TMCM-1260
<b>Operating Voltage</b>	7-45V	2.5-10.8V	8-35V	8-40V	8-40V	8-40V	8-40V	8-40V
<b>Max Output Current</b>	1.5 Arms	1.5 A	2 A	2.5 A	2.5 A	2.5 A	2.5 A	2.5 A
<b>Microstepping</b>	Up to 1/256	Up to 1/32	Up to 1/16	Up to 1/16	Up to 1/16	Up to 1/16	Up to 1/16	Up to 1/16
<b>Protection Features</b>	Overcurrent, Overtemperature, Short-circuit, Undervoltage lockout, Thermal shutdown	Overcurrent, Short-circuit, Undervoltage lockout, Overtemperature, Low-power sleep mode	Overcurrent, Short-circuit, Thermal shutdown	Overcurrent, Short-circuit, Thermal shutdown	Overcurrent, Short-circuit, Thermal shutdown	Overcurrent, Short-circuit, Thermal shutdown	Overcurrent, Short-circuit, Thermal shutdown	Overcurrent, Short-circuit, Thermal shutdown
<b>Package Type</b>	QFN 4x4 mm	HTSSOP/VQFN 24-pin	DIP-16	DIP-16	DIP-16	DIP-16	DIP-16	DIP-16
<b>Applications</b>	3D printers, Medical equipment, Industrial printers, Robotics	Toys, Printers, Cameras, Robotics	3D printers, CNC machines, Robotics	3D printers, CNC machines, Robotics	3D printers, CNC machines, Robotics	3D printers, CNC machines, Robotics	3D printers, CNC machines, Robotics	3D printers, CNC machines, Robotics

The TMC2208 and TMC2209 are known for their silent operation due to their StealthChop technology.

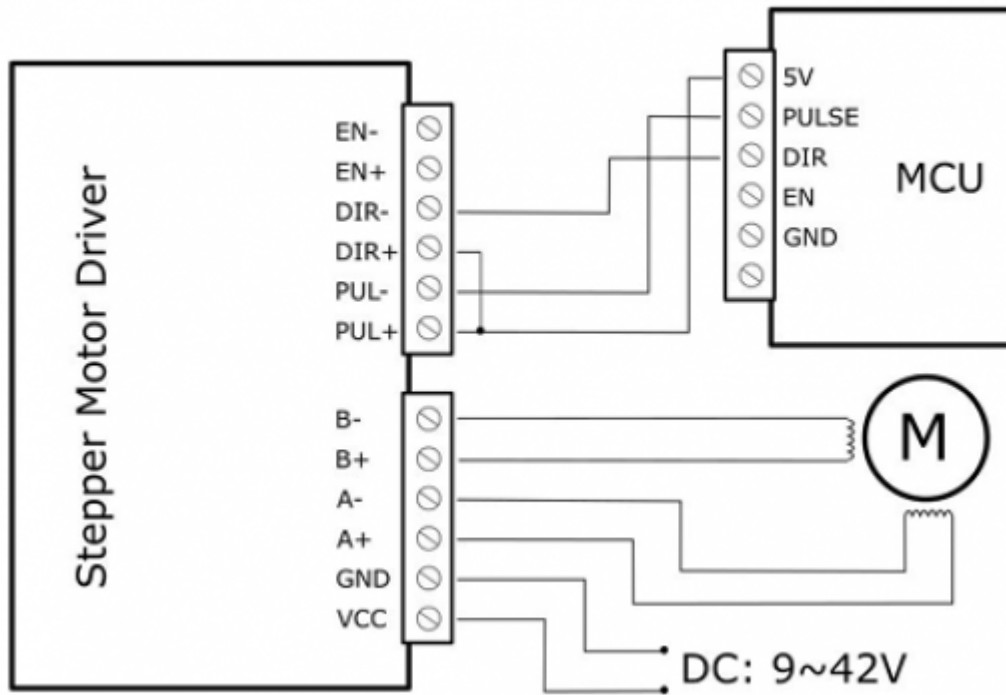
 The final choice of driver came down to cost and effort to implement. At the time of writing TB6600 units were available from amazon for €11,10. With optical insulated inputs<sup>11)</sup> and the cost, it's a no brainer choice for me.

## Wiring

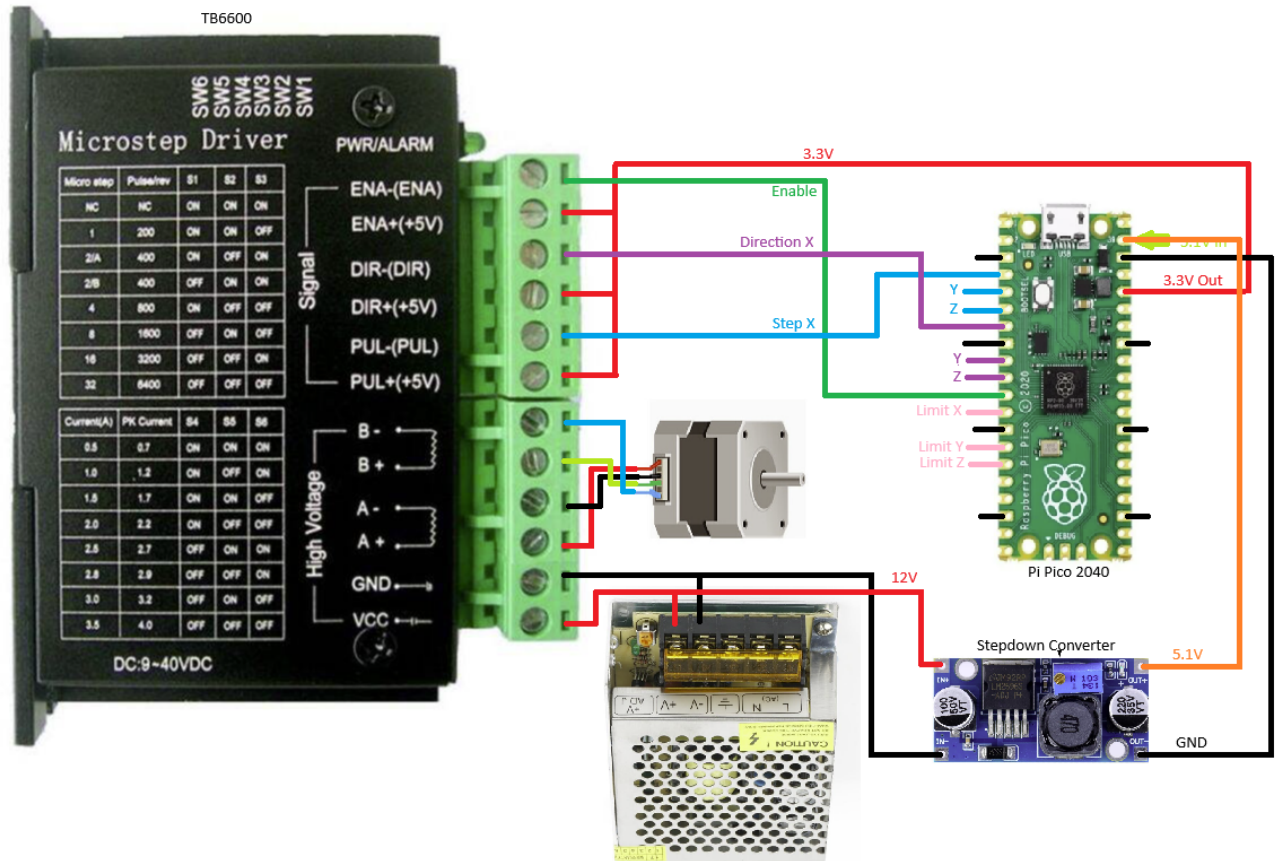
The pico datasheet<sup>12)</sup> section 2.1 confirms use of the 3.3V output for signal purposes of up to 300mA. The TB6600 datasheet<sup>13)</sup> confirms 15mA currents required to drive the optocouplers.

The proposed microcontroller wiring from the same datasheet proposes the following:


This is an example for the common-anode connection. ( "EN" not connected )

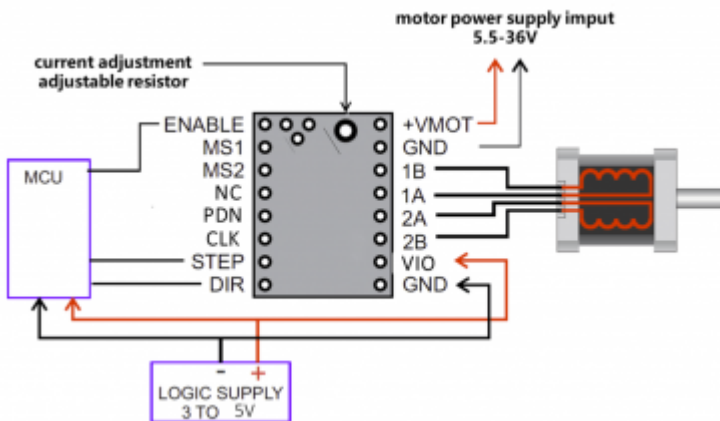
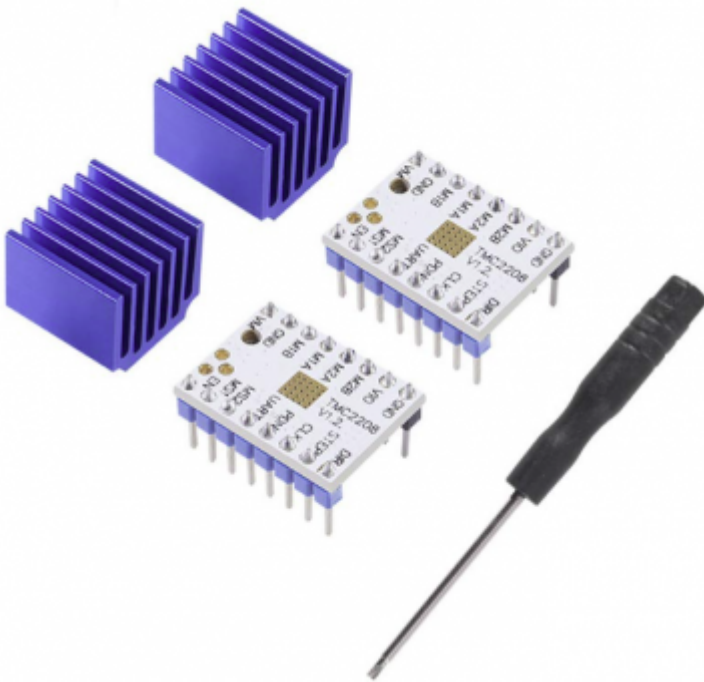


So in keeping with the proposed vendor Microcontroller wiring we then add the enable lines back in and it should look like this.

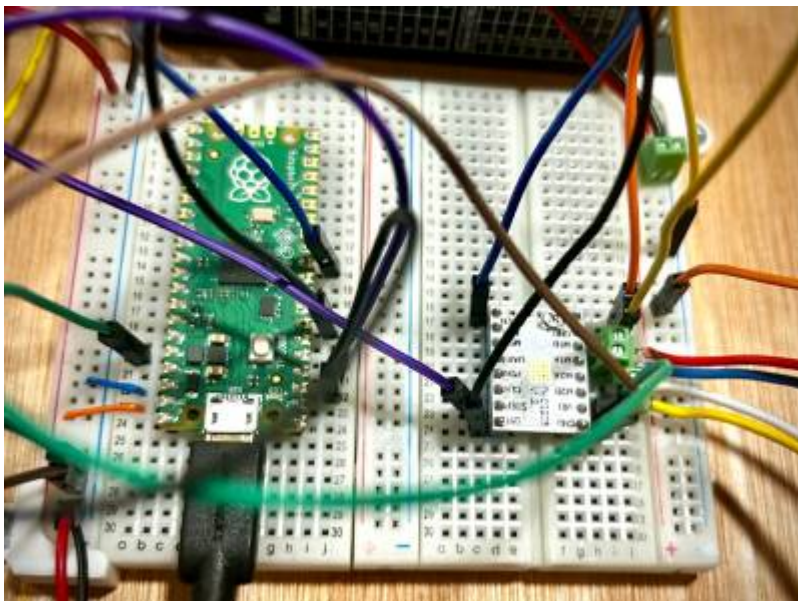


This schematic show the wiring for the X axis, the two Y axis connections for direction and step should be used instead.

 These drivers are easy to use and integrate but ended up to be very noisy, the sand table is supposed to be zen, the noise is too distracting.

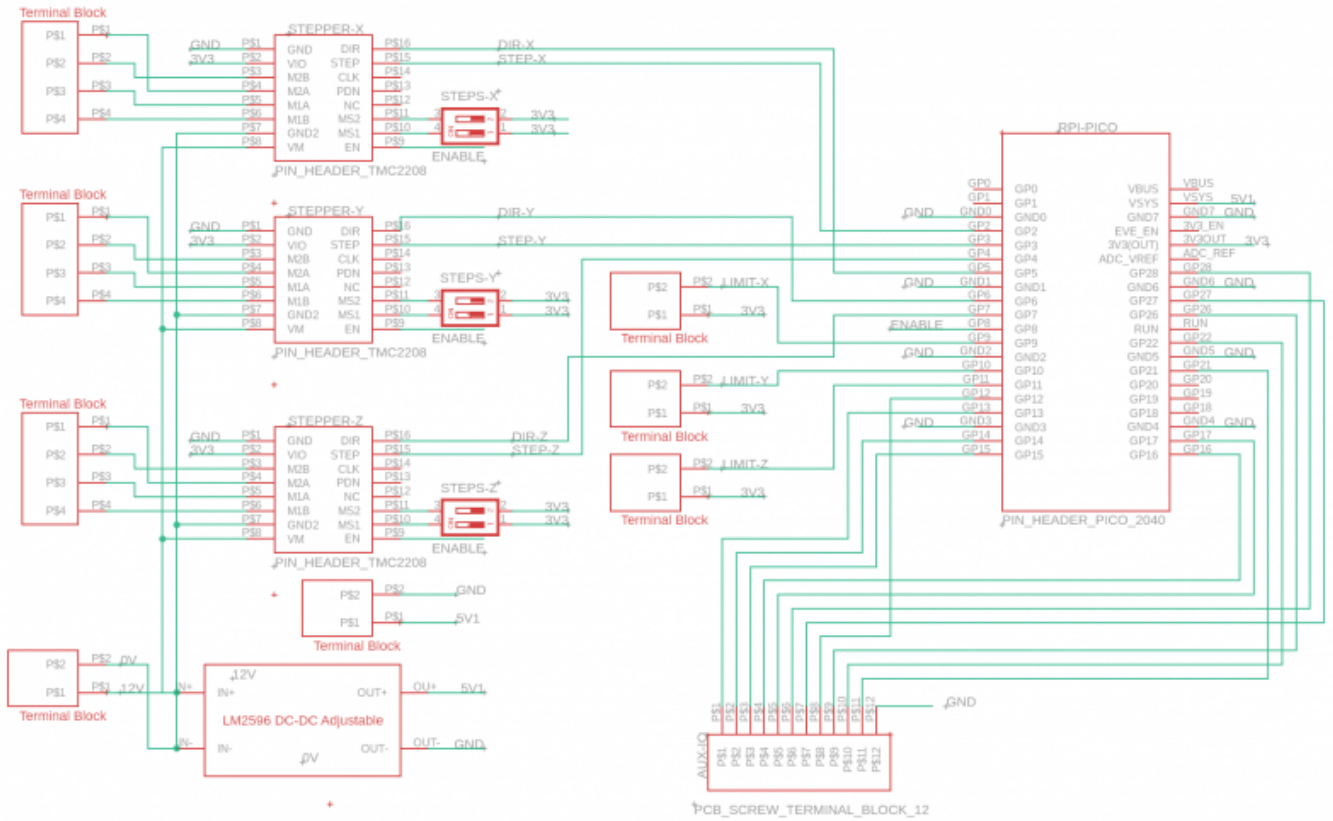


So some further research had some reasonably costed silent steppers and I opted for some TMC2208 drivers from Amazon and tested them out. I got two for around €9.00, and wired up a motor to a pico 2040 and proceeded to do some tests.



I followed this basic circuit diagram I found online, and the noise reduction was substantial. After some further research I was unable to find a good and cost effective solution to connect my Pico 2040 to a driver board and explored [pcbway](#) that claimed to be low cost custom pcb provider, this proved to be true and after one steep learning curve and countless hours later I have used the free version of Fusion 360 to create a double layer PC board.





# Linear Hardware

## Stepper Motors

My stepper motor choice is from what I already have on hand, is popular and abundantly available. Any Nema 17 motor will suffice.

<b>Brand</b>	Creality 3D 42-40
<b>Item Name</b>	RepRap 42 Stepper Motor
<b>Article number</b>	42-40
<b>SKU</b>	3204120126
<b>Step angle</b>	1.8degrees
<b>Rated voltage</b>	4.83V
<b>Current rating</b>	1.5(A)
<b>Rated speed</b>	1-1000(rpm)
<b>Rated torque</b>	0.4(NM)
<b>Ambient temperature</b>	-20 °C ~ + 50°C
<b>Length</b>	40mm
<b>Application</b>	3D printer
<b>Shaft</b>	Round shaft

Using this stepper in conjunction with a TB6600, simply set the current limit to match that of the motor selected, regardless of the voltage supplied to the controller. The controller regulates the current limit set up from the dip switches. <sup>14)</sup>

## Linear Stage

For my linear stage I decided to venture off the well travelled path and investigate alternative rail options.

Browsing at my local hardware store I found polished oval rails like these and started working of a 3D printed design that can use cheap 3D printed options to turn these into a linear stage.

Microsoft Bing oval rail wardrobe

SEARCH COPILOT SHOPPING Deals My Collections IMAGES VIDEOS MAPS NEWS MORE

White Oval Wardrobe Rail Wardrobe Pole and Fittings Wardrobe Hanging Rails and Fittings Replacement Wardrobe Rail Oval Hanging Rail Brass Oval Hanging Rail Screwfix Clothes Rail Wicker Wardrobe

Hide filters

**BRAND**

- Waenlr
- Emuca
- Home Centre
- Tianqinuk
- Timco

See 6 more

**PRICE**

- Up to £10
- £10 - £20
- £20 - £40
- Over £40

**TYPE**

- Hangers
- Supports
- Wardrobes
- Bathroom
- Brackets

See 3 more

**MATERIAL**

EAI Polished Chrome Wardrobe Rail £17.50 Amazon UK Free shipping

Oval Wardrobe Rail Polished £14.97 Amazon UK Free shipping

TIMCO Wardrobe Rail Oval Polished £7.41 Amazon UK Free shipping

Oval Rail Wardrobe Polished £28.97 Amazon UK

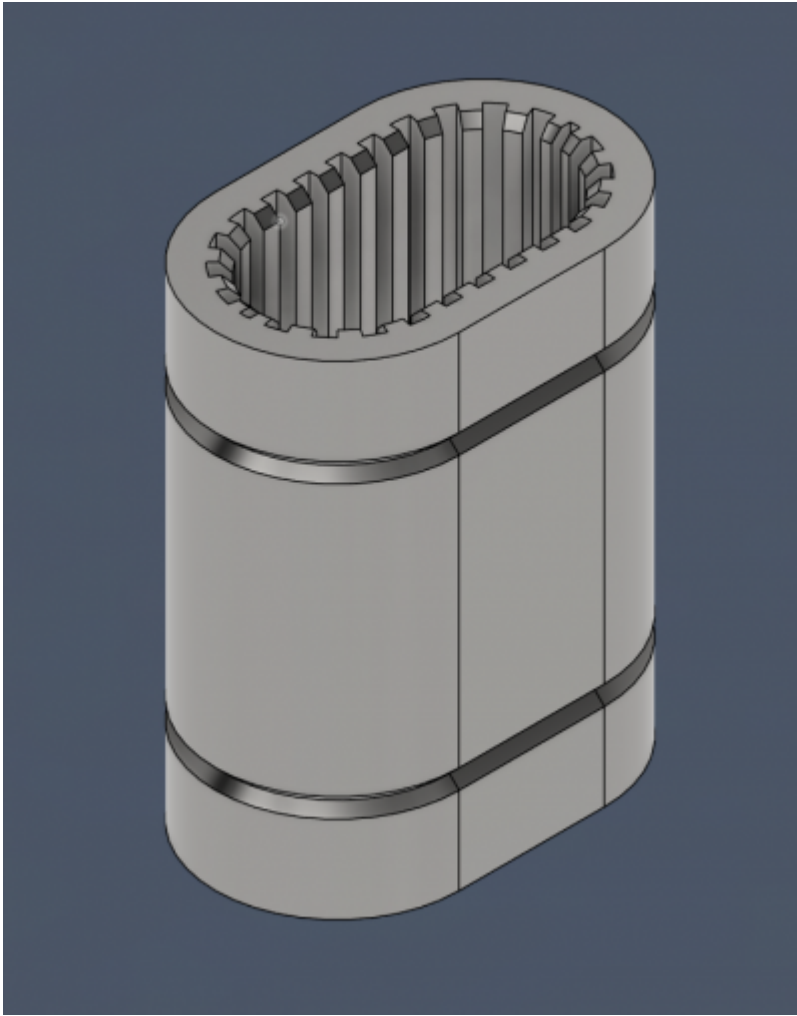
HOME CENTRE 300mm Oval £7.90 Amazon UK Free shipping

HOME CENTRE 500mm Oval £9.20 Amazon UK Free shipping

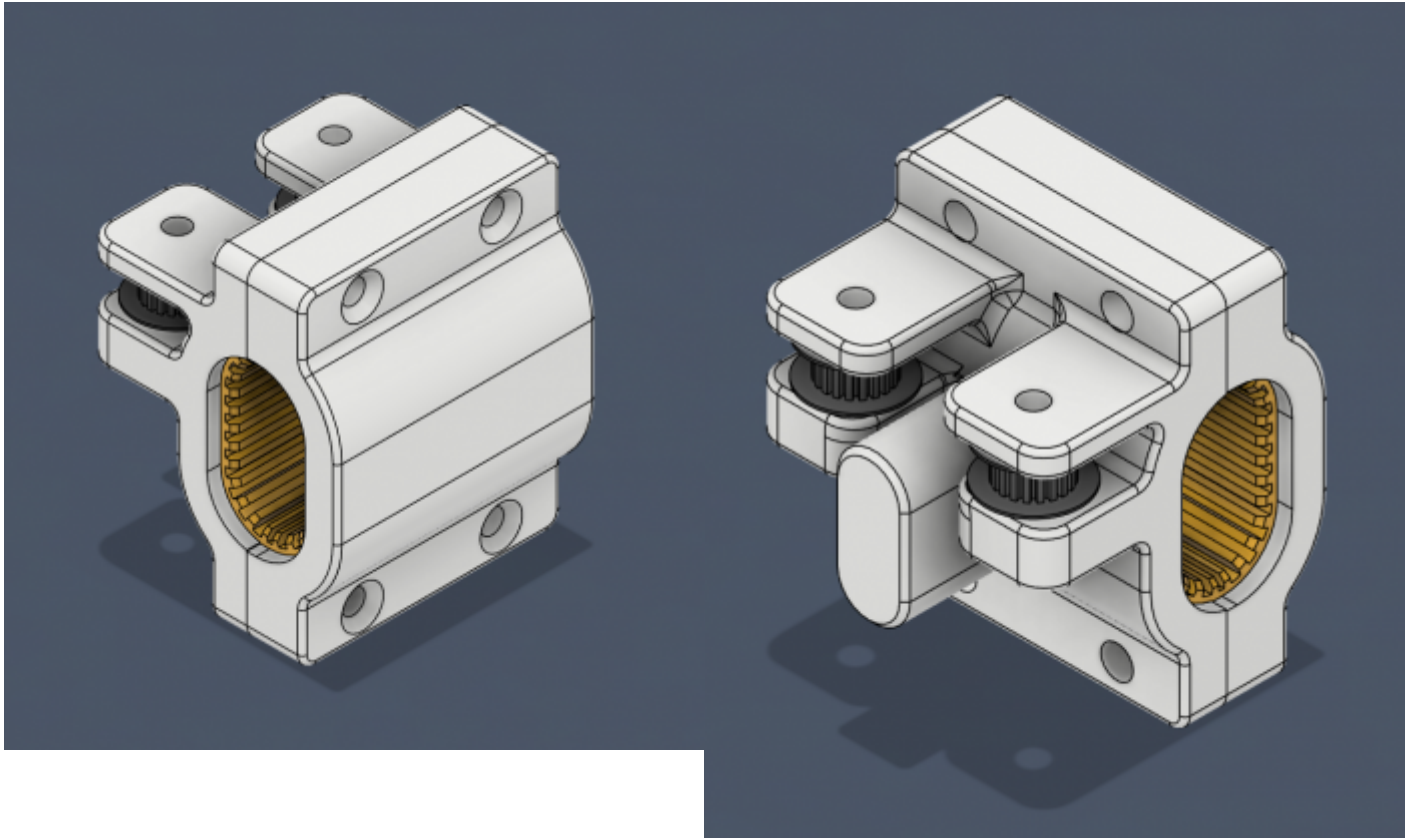
HOME CENTRE 1000mm Oval £15.40 Amazon UK Free shipping

Bestdeals12 Wardrobe Rail Chrome £14.20 Amazon UK

I created some oval shaped linear bearings for starters and testing them on the rails.



The were designed with very tight fit tolerances.



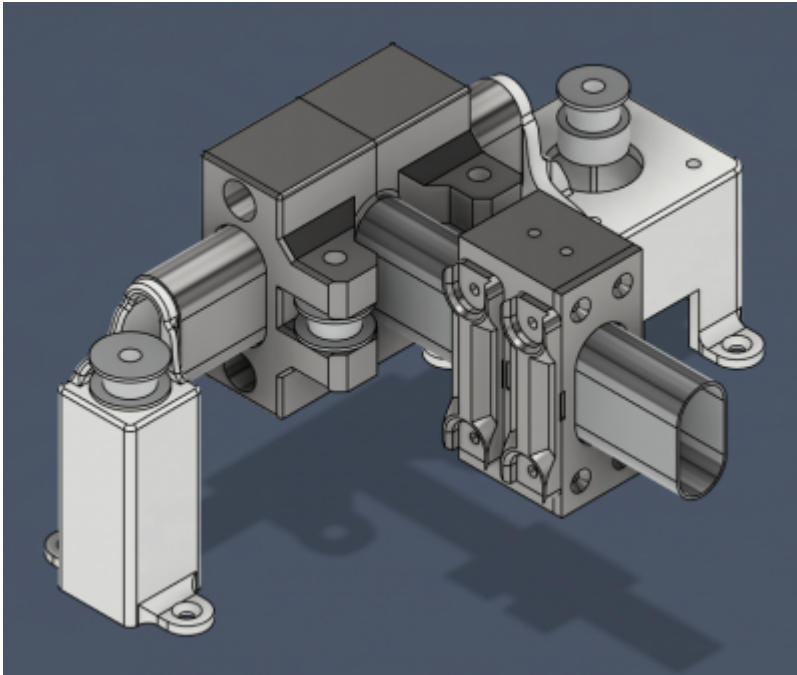
Then created some bearing holders with idler pulley holders and mounts for the cross bar.

The cross bar fit was also tight and I used a mallet to drive it on to avoid play. I realised I did not fit the bearing and designed a split bearing.

The bearings are here: <https://www.printables.com/model/1108249-oval-tube-linear-bearing-15x30x50mm>

The gantry sliders with bearing and idler pulleys are here:  
<https://www.printables.com/model/1111593-oval-profile-linear-stage-single-bearing>

These conceptual designs performed well enough in my initial trails, they will not work well in a 3D print design where sub millimetre tolerances are require, but is worth trying out on simpler applications will lower tolerance requirements.



The final design for the core-xy linear stage is here: <https://www.printables.com/model/1143004-budget-core-xy-linear-rail-system>. The print layout file includes a mirrored layout of the left stage stepper and idler holders.

1)

<https://github.com/texx00/sandypi>

2)

<https://github.com/grblHAL/core/blob/master/README.md>

3) 4)

<http://svn.io-engineering.com:8080/?driver=RP2040>

5)

<https://github.com/terjeio/ioSender/releases/>

6)

[https://github.com/grblHAL/RP2040/blob/master/boards/generic\\_map.h](https://github.com/grblHAL/RP2040/blob/master/boards/generic_map.h)

7)

<https://all3dp.com/2/arduino-cnc-shield/>

8)

[https://www.amazon.co.uk/gp/product/B07SBZ9SM5/ref=ox\\_sc\\_act\\_title\\_1?smid=A3G751PYK8M98N&psc=1](https://www.amazon.co.uk/gp/product/B07SBZ9SM5/ref=ox_sc_act_title_1?smid=A3G751PYK8M98N&psc=1)

9) 13)

<https://www.makerguides.com/wp-content/uploads/2019/10/TB6600-Manual.pdf>

10)

<https://www.watelectronics.com/tb6600-stepper-motor-driver-module/>

11)

[https://components101.com/sites/default/files/component\\_datasheet/TB6600-Datasheet.pdf](https://components101.com/sites/default/files/component_datasheet/TB6600-Datasheet.pdf)

12)

<https://datasheets.raspberrypi.com/pico/pico-datasheet.pdf>

14)

<https://community.robotshop.com/forum/t/power-supply-requirements-for-stepper-motor-controller/28483/4>

From:

<http://3dfaq.net/> - 3D Printing Wiki

Permanent link:

[http://3dfaq.net/04\\_projects/02\\_kinetic\\_sand\\_table?rev=1737389104](http://3dfaq.net/04_projects/02_kinetic_sand_table?rev=1737389104)

Last update: 2025/01/20 16:05



